


Features -	VE-DINPoE5
Input Voltage 9-36VDC	
PoE Output Voltage 48VDC	
IEE 802.3af / 802.3at	
Industrial High Temperature Operation	
Integrated 10/100Mbps PoE Inserters	
Short Circuit, Over Current, and Reverse/Over Voltage Protection	

Description -

IEEE802.3af/at Compliant 48VDC 10/100/1000MB PoE Switch. Switch accepts 12-36VDC power via a wire terminal connector on the back of the Switch or via 48VDC PoE into the 802.3af/at compliant uplink port (90W max). Perfect for remote solar/battery systems. 35W per port.

Device Pinouts -

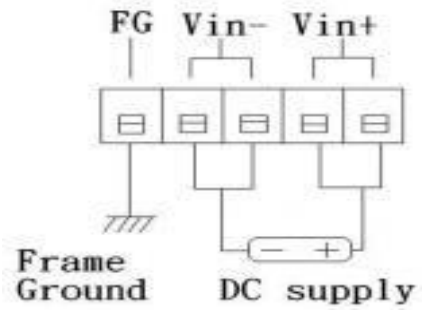
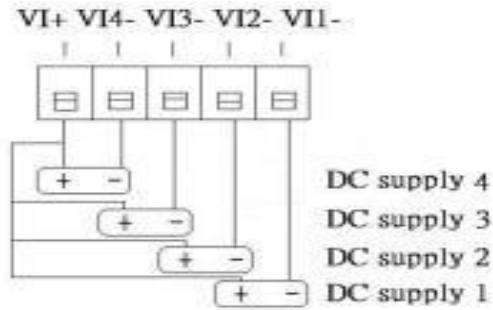
RJ-45 Port 5 (Data Only)			RJ-45 Ports 1-4 (Data & Power)	
<i>Pin</i>	<i>Symbol</i>	<i>Description</i>	<i>Symbol</i>	<i>Description</i>
1	A+ / +Vdc	Data A+ / DC Power (+)	A+	Data A+
2	A- / +Vdc	Data A- / DC Power (+)	A-	Data A-
3	B+ / -Vdc	Data B+ / DC Power (-)	B+	Data B+
4	C+ / +Vdc	Data C+ / DC Power +	C+ / +Vdc	Data C+ / DC Power (+)
5	C- / +Vdc	Data C- / DC Power (-)	C- / +Vdc	Data C- / DC Power (+)
6	B- / -Vdc	Data B- / DC Power (-)	B-	Data B-
7	D+ / -Vdc	Data D+ / DC Power (-)	D+ / -Vdc	Data D+ / DC Power (-)
8	D- / Vdc	Data D- / DC Power (-)	D- / -Vdc	Data D- / DC Power (-)

Surge – Lightning Protection -

Operating Voltage	Data 5V
Clamping Voltage	Data 16.5V (@ I PP = 5A, tp = 8/20μs, I/O pin to GND)
Peak Pulse Current	20A (tp = 8/20μs)
Pin Protected	4 Pin Protected (signal pairs)
Max. Shut Capacitance	<3pF (VR = 0V, f = 1MHz, I/O pin to GND) <1.5 pF (VR = 0V, f = 1MHz, Between I/O pins)
IEC COMPATIBILITY (EN61000-4_)	IEC6100- 4.2 (ESD) +15kV (air), +8kV (contact) IEC6100-4.4 (EFT 40A (5/50ns) IEC6100-4.5 (Lightning) 20A (8/20μs)

Specifications -	
DC Input Voltage	<i>10V to 36, Dual DC Inputs, Reverse Polarity Protected Also Accepts PoE power input on Port 5</i>
DC Input Connector	Removable Screw Type Compression Wire Terminal (12 AWG Max)
Ethernet Standard	IEEE802.3af / IEEE802.3at
Ports	1 Data/PoE input and 4 Data/PoE, automatic crossover and polarity
Transmission Speed	1000Mbps / 100 Mbps /10 Mbps Auto-negotiation
Switch Technology	Store and forward
Protocol	CSMA/CD
Flow Control	IEEE802.3x(full-duplex), Back Pressure(half-duplex)
Data Transmission Rate	1488000pps for 1000baseT, 148800pps for 100baseT, 14880pps for 10baseT
Address Table	1K MAC, self-learning
Connections	Shielded RJ45
PoE Output Ports	Port 1-4, auto power management Pin assignment: TX(1,2), RX(3,6), V+(4,5), V-(7,8)
Maximum PoE Power	Up to 35W per port; max 70W per 5 port switch
PoE Auto Detection	IEEE 802.3af, 802.3at
PoE Protection	Over Temperature, Over Current, Over/Under Voltage
Data Surge Protection	IEC61000-4-2 (ESD) ±15kV (air), ±8kV (contact) IEC61000-4-4 (EFT) 40A (5/50ns) IEC61000-4-5 (Lightning) 20A (8/20µs)
LEDs	<i>Link (Green On), Activity (Green Blinking) PoE Detect (Yellow On), PoE Detect Error (Yellow Blinking) Power On (Green On), Power On Alarm (Red On)</i>
Self-Consumption	< 4 Watts
Operating Temperature	-20 to +75°C (-4 to 167°F)
Operating Humidity (RH)	5% - 90%
Storage Temperature	-40 to +80°C (-40 to +176°F)
Dimensions (LxWxH)	85 x 76 x 36mm (3.4 x 3 x 1.4")
Weight	134g (4.7oz)
Warranty	1 Year

DC Input Connector -



Remote Power Division
4774 S. Hwy 191 Suite #5
Rexburg, ID 83440