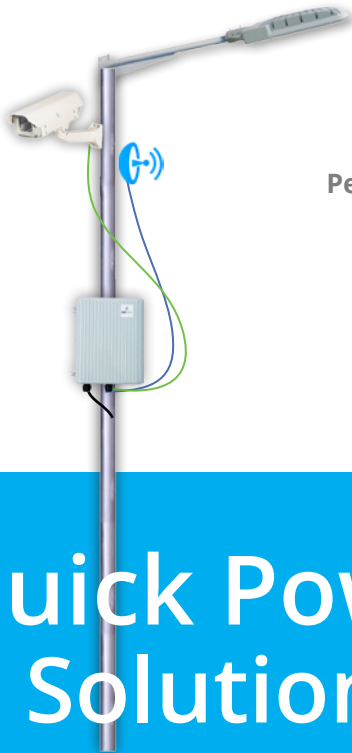


Outdoor PoE Antenna & Camera Power Supply

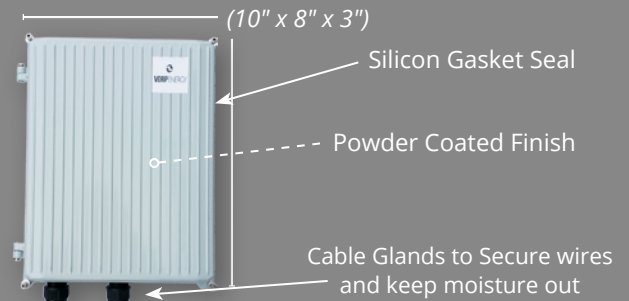
A low profile, affordable, outdoor solution that will convert high voltage into several connected low voltage PoE outputs. Pole and wall mount brackets included.



Perfect for light poles!



Protected by a Weather Proof Aluminum Enclosure



* Included Pole/Wall Mount Brackets

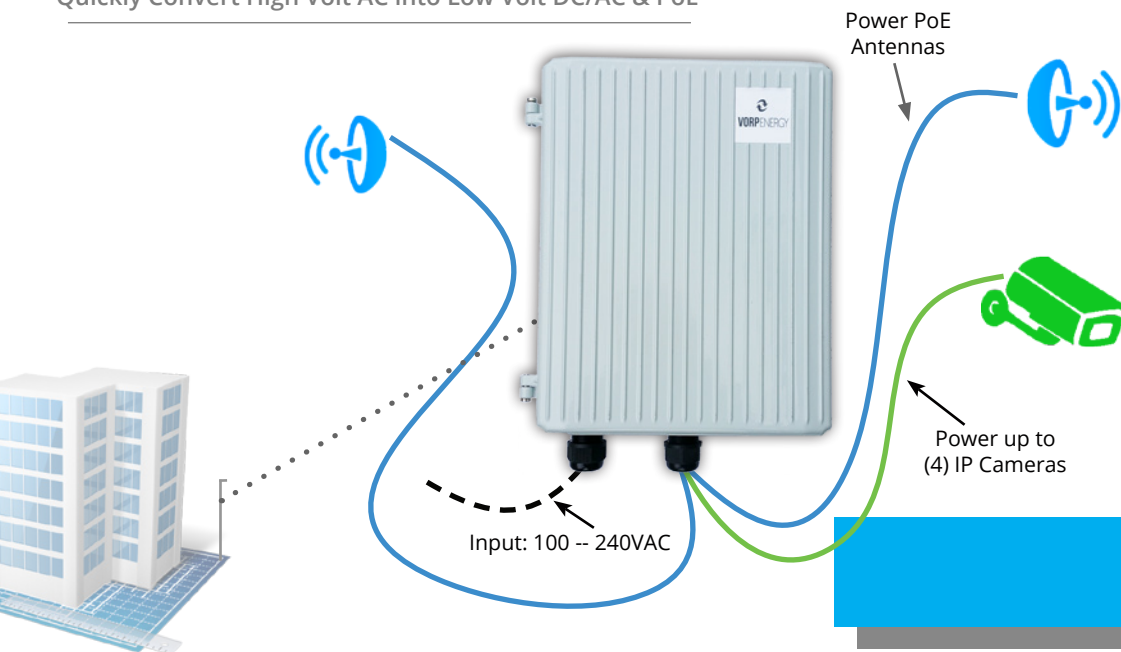
Quick Power Solutions

For IP Cameras and Antennas

Popular Applications

- **Transmit Video** - Power IP Cameras & Antenna on a Pole or Wall using a local high voltage source.
- **Connect & Power Network Equipment** - Power Multiple Antennas to create a wireless bridge or access point on a Pole or Wall using a local high voltage source.

Quickly Convert High Volt AC into Low Volt DC/AC & PoE



 **VORPENERGY**

Vorp Energy - Remote Power Division

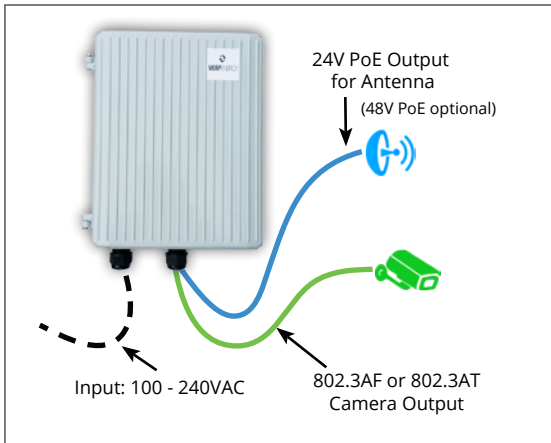
📍 4774 South Hwy 191
Rexburg, ID 83440
📞 Phone : + (208) 904-0424
✉ E-Mail : support@vorpenergy.com

A Simple "Plug and Play" Design. Just hard wire the high voltage (100-240VAC) wires into the enclosure and plug cameras or antennas into the labeled RJ-45 connections.



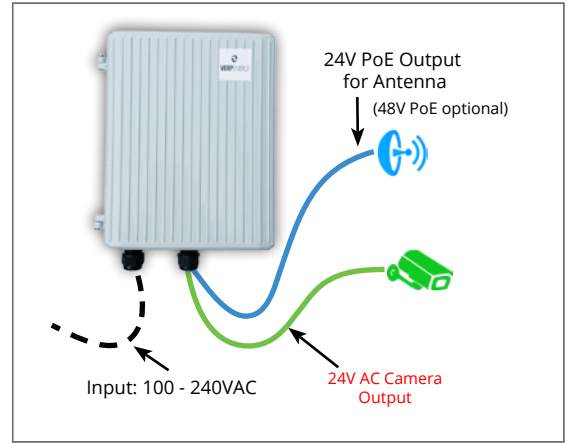
- Wireless Surveillance Solutions

Note that most IP cameras without heaters and blowers are powered by the 802.3AF standard. Most PTZ's will require 802.3AT or 24VAC to power due to the heater & blower. To learn more about wireless go to www.vorpenenergy.com/learning



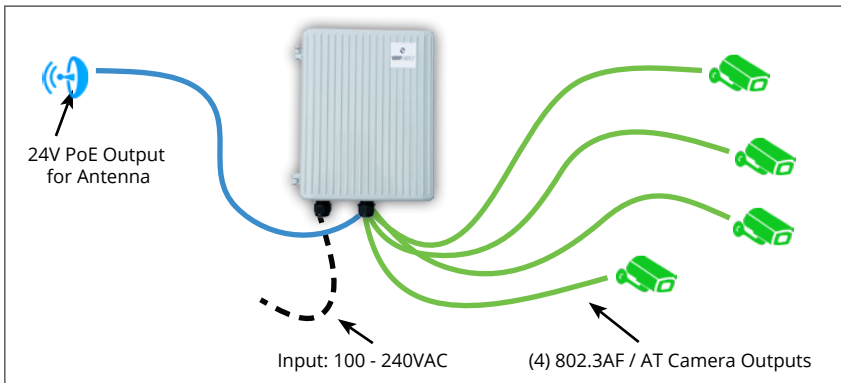
Power (1) Camera & (1) Antenna off 100-240VAC

Use **SPB-1AF-24** for an 802.3af camera and the **SPB-1AT-24** for an 802.3at camera.



Power (1) 24V AC Camera & (1) Antenna off 100-240VAC

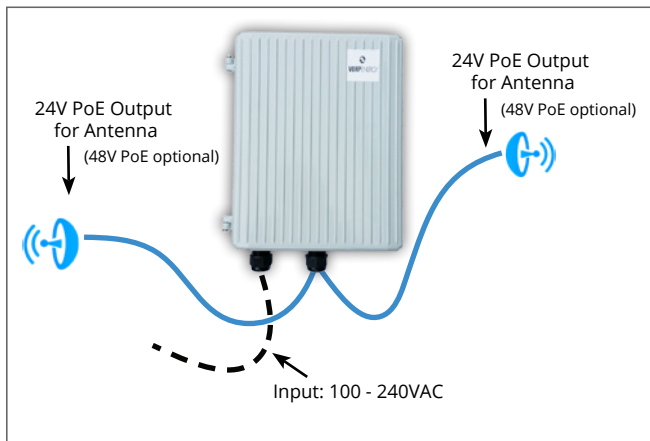
Use **SPB-24VAC-24** for a 24V AC camera up to **1.6A**.
Use **SPB-24VAC-24HP** for a 24V AC camera up to **4A**.



Power (4) 802.3af/at Cameras & (1) Antenna off 100-240VAC

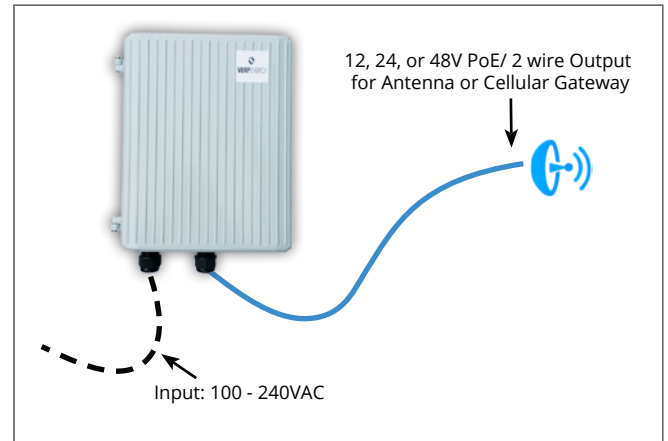
Use the **SPB-4AF-24** for up to (4) 802.3af/at cameras and (1) 24V PoE antenna.

- Antenna & Cellular Gateway Solutions



Power (2) Antennas off 100-240VAC

Use **SPB-24-24** for 24V PoE Antennas or **SPB-48-48** for 48V PoE Antennas.



Power (1) Antenna/Cellular Gateway as a "hotspot" off 100-240VAC

Use **SPB-12** for 12V, **SPB-24** for 24V, or **SPB-48** for 48V PoE/ (2 wire +/-) devices.