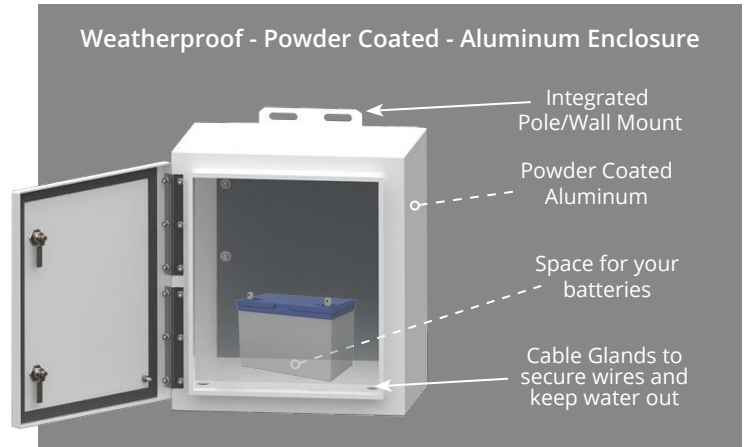


Uninterruptible Outdoor Power Supply - UPS

A low profile, affordable, weatherproof solution that gives you reliable, 24/7 power for all types of equipment in any environment. Many different voltage & output options available.

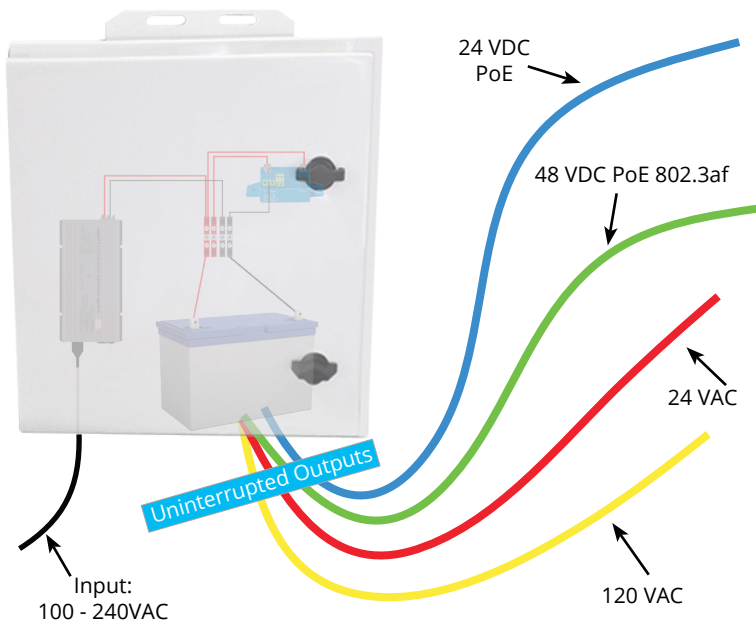


Backup Power Solutions

For Low and High Voltage Equipment

Popular Applications

- **Light Poles** - When you have temporary electricity during a 24 hour period a UPS gives you consistent regulated power by charging batteries when you have power and releasing it when you do not.
- **Inconsistent Power** - If you require your equipment to run 24/7 and can not afford downtime, a UPS will give you that uninterrupted, clean, reliable power.



* Remember - A UPS will keep your equipment ON even when the power goes out and it will protect against surges!

Vorp UPS Benefits

- Engineered to work with both Lithium Phosphate and Sealed Lead Acid (AGM / Gel) batteries (not included)
- Field Proven / Compact / Rugged
- Indoor / Outdoor / Underground use
- Ideal for use with surveillance, communications, LED lights, telecom, security, parking gates, ect.
- Solar as a backup option available
- Up to 5 days of backup time available
- Output Options:
(18, 24, 48, 56V PoE), (12, 24, 48, 56 VDC), (24 VAC)
(120 - 240VAC) power options available

Vorp Energy - Remote Power Division

📍 4774 South Hwy 191
Rexburg, ID 83440
📞 Phone : + (208) 904-0424
✉ E-Mail : support@vorpenergy.com

A Simple "Plug and Play" Design. Just hard wire the high voltage (100-240VAC) wires into the enclosure and plug in your equipment for continuous power.

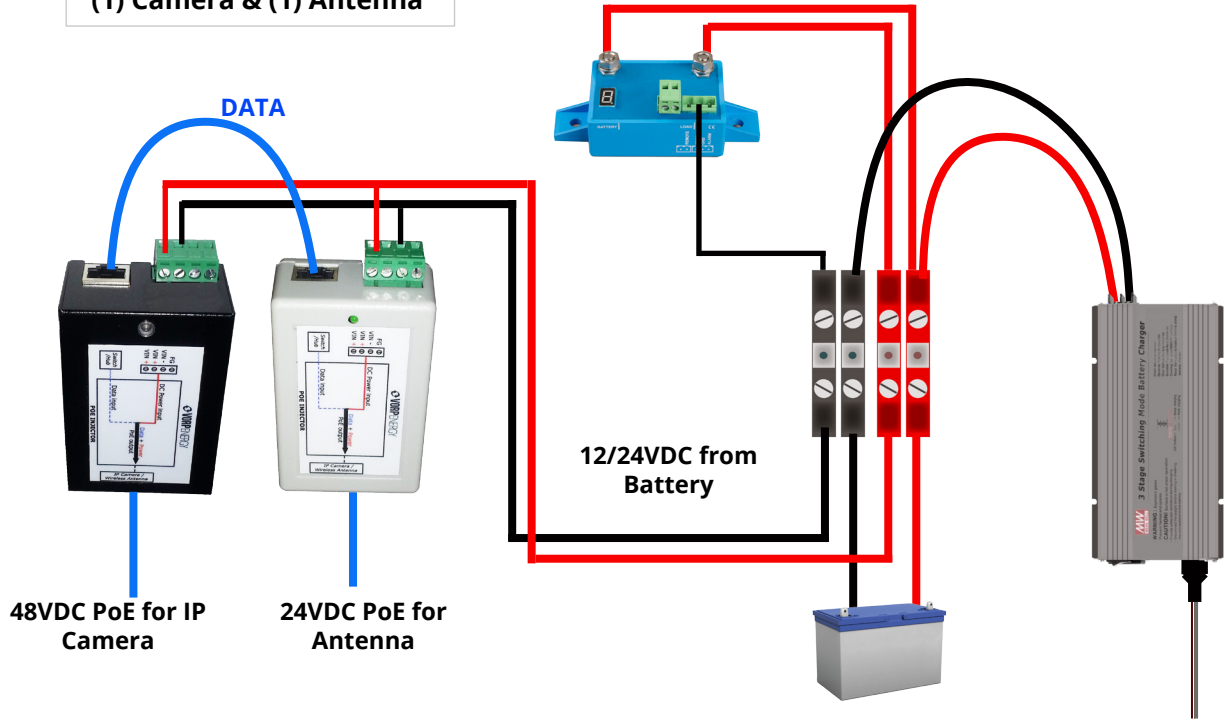


 **VORPENERGY**

- Wireless Surveillance Solutions

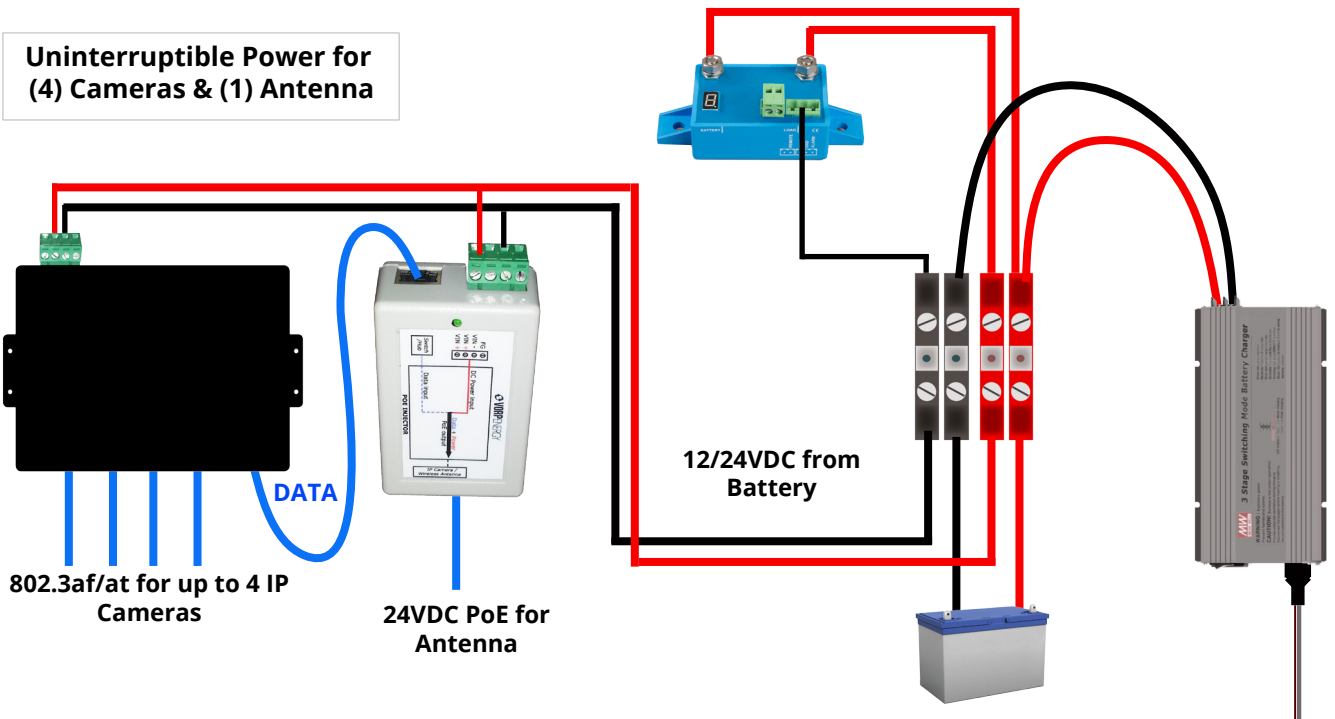
Note that most IP cameras without heaters and blowers are powered by the 802.3AF standard. Most PTZ's will require 802.3AT or 24VAC to power due to the heater & blower. To learn more about making video wireless go to www.vorpenergy.com




**Uninterruptible Power for
(1) Camera & (1) Antenna**



PoE Injectors and other optional accessories are available to be pre-wired into the power assembly to provide "Plug and Play" Installation

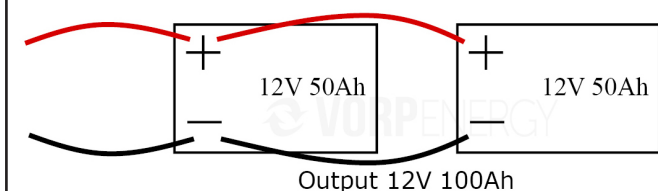
**Uninterruptible Power for
(4) Cameras & (1) Antenna**



Vorp Energy Enclosures									
	Enclosure Part #	VE-VPS1-ENC			VE-VPS2-ENC			VE-VPS5-ENC	
Enclosure Size (Inches)	H	W	D	H	W	D	H	W	D
	19.7	15.8	11.8	20	15.9	14.8	30	24	14.5
Enclosure Weight	24 Lbs			22 Lbs			65 Lbs		
Battery Capacity	100 Ah			200 Ah			500 Ah		
Material	Powder Coated Steel			Powder Coated Aluminum			Powder Coated Aluminum		
Lockable	No			Yes <i>(padlock not included)</i>			Yes <i>(padlock not included)</i>		
Mounting System	Seperate Hardware <i>(Included)</i>			Integrated Mounting System			Seperate Hardware <i>(Included)</i>		
Recommended Pole Size	2" to 8" Schedule 40 Ridged Metal Pole								
Battery Charge Controller	12 VDC @ 24 Amp or 24 VDC @ 12Amp 3 Stage <i>(Bulk - Absorption - Float)</i>								
Recommended Battery Types	Sealed Lead Acid (Absorbent Glass Matt <i>(AGM)</i> or Gel), or Lithium Iron Phosphate (3,500 Charge Cycles)								
Operating Temperature	-40°C to +60°C (-40°F to +140°F) <i>(Sealed Lead Acid Batteries can lose up to 50% capacity in temperatures below -0°F)</i>								

Uninterruptible Power Part Number Specifications						
Part #	VUPS1-12	VUPS2-12	VUPS5-12	VUPS1-24	VUPS2-24	VUPS5-24
DC Output	12VDC			24VDC		
AC Input Range	115VAC (90 - 132VAC) or 230VAC (180 - 264VAC) - Selectable by Switch					
Battery Capacity	100 Ah	200 Ah	500 Ah	50 Ah	100 Ah	250 Ah
Battery Connection	Parallel			Series		
Battery Charge Current	24 Amp			12.5 Amp		

Connecting in **Parallel** - Same Voltage but Amps (Ah) Double



Connecting Batteries

Connecting in **Series** - Doubles Voltage but Amps (Ah) stay the same

