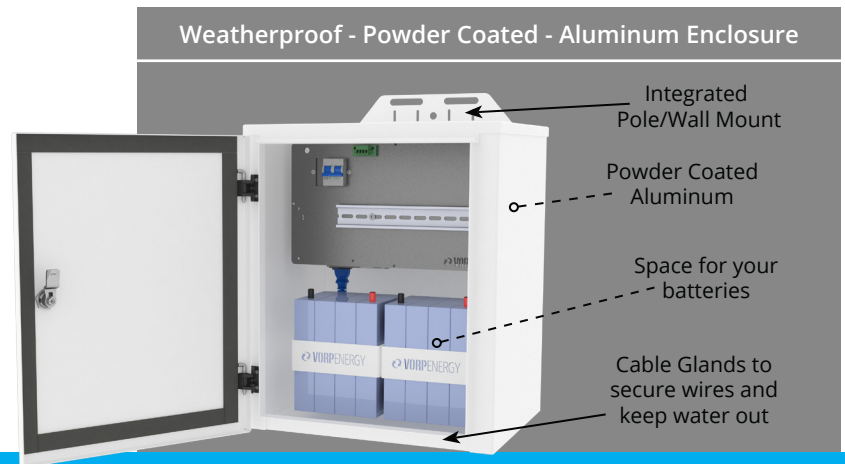


Uninterruptible Outdoor Power Supply - UPS

A low profile, affordable, weatherproof solution that gives you reliable, 24/7 power for all types of equipment in any environment. Many different voltage & output options available.



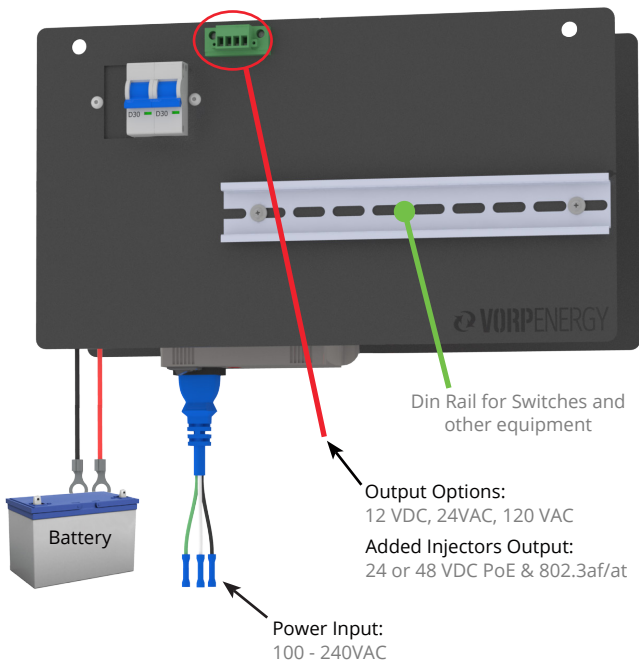
Backup Power Solutions

Popular Applications

- **Light Poles** - When you have temporary electricity during a 24 hour period a UPS gives you consistent regulated power by charging batteries when you have power and releasing it when you do not.
- **Inconsistent Power** - If you require your equipment to run 24/7 and can not afford downtime, a UPS will give you that uninterrupted, clean, reliable power.

UPS Faceplate from inside enclosure

(See options on next page)



Vorp UPS Benefits

- Engineered to work with Lithium Phosphate and Sealed Lead Acid (AGM / Gel) batteries (not included)
- Field Proven / Compact / Rugged
- Indoor / Outdoor / Underground use
- Solar as a backup option available
- Up to 5 days of backup time available
- Add-On Power Output Options:
(18, 24, 48, 56V PoE), (12, 24, 48, 56 VDC), (24 VAC)
(120 - 240VAC) power options available



Vorp Energy

4774 South Hwy 191
Rexburg, ID 83440
Phone : + (208) 904-0424
E-Mail : support@vorpenergy.com

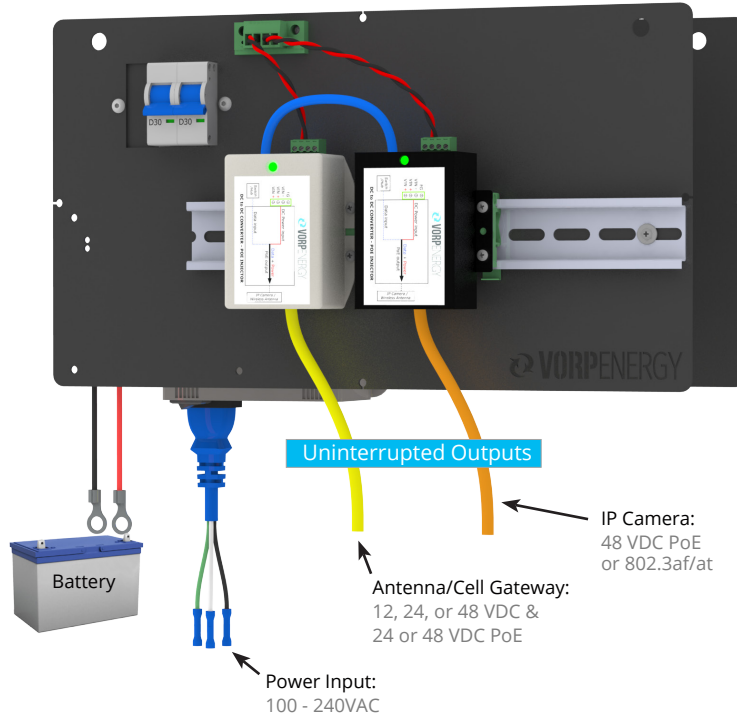
A Simple "Plug and Play" Design. Just connect your high voltage (100-240VAC) power source to the input wires in the enclosure and plug your equipment in for continuous uninterrupted power.



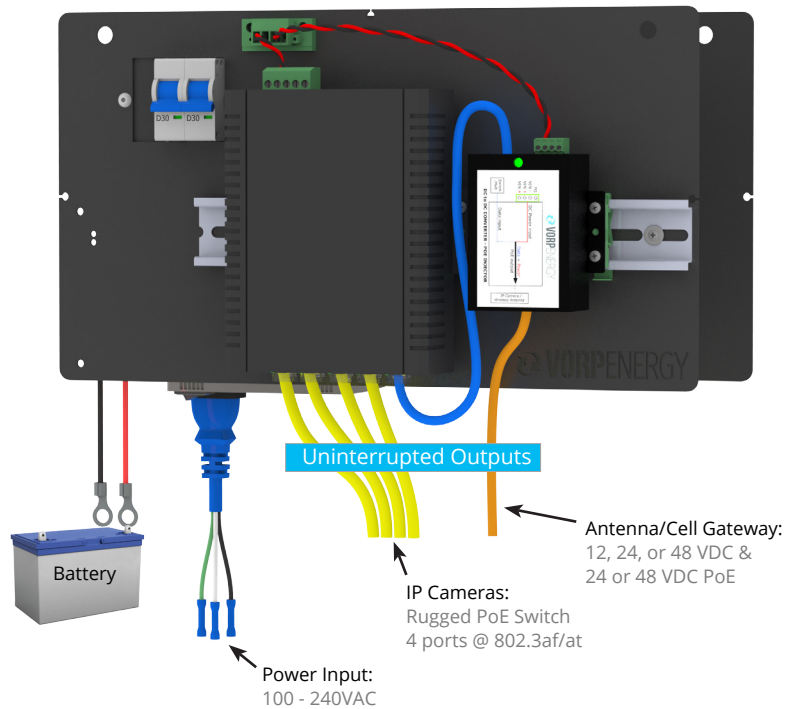
- Wireless Surveillance Solutions (Examples)


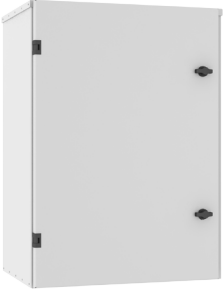
Note: Most IP cameras without heaters and blowers are powered by the 802.3af (AF) standard. Most PTZ's will require 802.3at (AT) or 24 VAC to power due to the heater & blower. Our various PoE Converter/Injectors are a perfect solution to help you get the exact power needed. For more information and to learn more about making video wireless go to www.vorpenery.com

Uninterruptible Power for (1) Camera & (1) Antenna



Uninterruptible Power for (4) Cameras & (1) Antenna



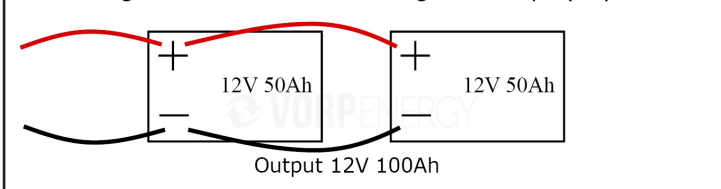
						
Enclosure Specs	UAL2-			UAL5-		
Enclosure Size (Inches)	<i>H</i>	<i>W</i>	<i>D</i>	<i>H</i>	<i>W</i>	<i>D</i>
	19"	16"	14"	30"	22"	13"
Enclosure Weight	13 LBS			33 LBS		
Material	Powder Coated Aluminum					
Lockable	Lockable with Padlock (Padlock not Included)					
Mounting System	Integrated Mounting System (Included)					
Recommended Pole Size	3" to 5.5" Schedule 40 Ridged Metal Pole					
Battery Charge Controller	12 VDC @ 24 Amp or 24 VDC @ 12Amp, Preinstalled Advanced Charge Algorithm based on Zone with 3 Stage (Bulk - Absorption - Float)					
* Lithium Battery Capacity	240 Ah Equal to ~ 480 Ah of SLA			480 Ah Equal to ~ 960 Ah of SLA		
SLA Battery Capacity	(2) 100 Ah Batteries			(2) 250 Ah Batteries		
Operating Temp	-40° C to +60° C (-40° F to +140° F) Batteries can lose up to 50% of power in temperatures below -0° F					

* Energy available in Lithium is about double that of Sealed Lead Acid do to the fact that you can use 80-90% of stored power in a Lithium battery but only 50% in a Sealed Lead Acid Battery.

Complete Kit Part #	UAL2-12	UAL5-12	UAL2-24	UAL5-24
DC Output	12VDC		24VDC	
AC Input Range	115VAC (90-132VAC) or 230VAC (180-264VAC) - Selectable by Switch			
12V Battery Connection	Parallel		Series	
Input Battery Charge Current	24 Amp		12.5 Amp	

Connecting Batteries - Series vs Parallel

Connecting in **Parallel** - Same Voltage but Amps (Ah) Double



Connecting in **Series** - Doubles Voltage but Amps (Ah) stay the same

