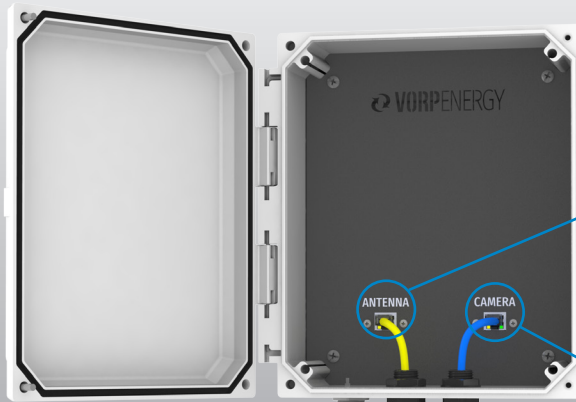


# powerVTAP

Plug & Play Light Pole Power Tap

## Integrated Pole Mount

Connect to Pole Via Hose Clamp



## Power for Antenna/Cellular Gateway

24/48 VDC PoE or 12-24-48 VDC

## Rugged PoE IP Camera Power

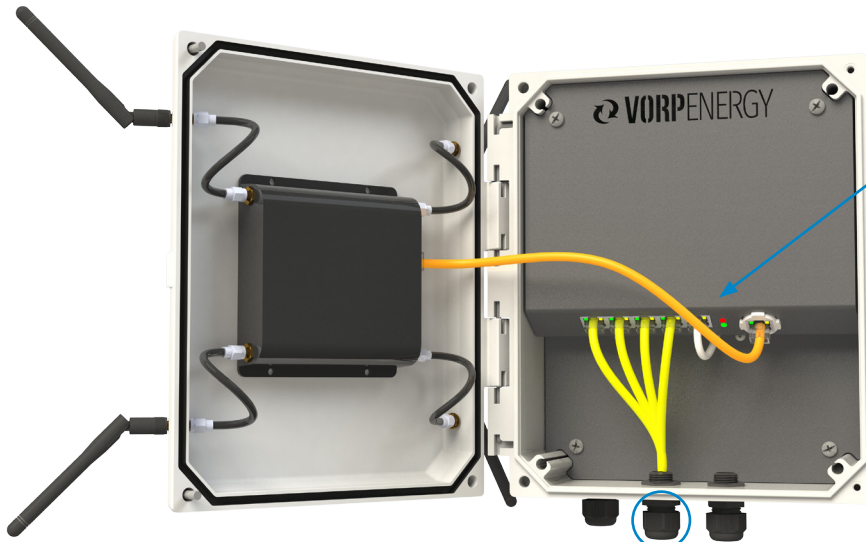
Power (4) Cameras (802.3af/at)

# Lightpole Solutions

For IP Cameras and Antennas

## Popular Applications

- **Transmit Video**  
Power IP Cameras & Antenna on a Pole or Wall using a local high voltage source.
- **Connect & Power Network Equipment**  
Power Multiple Antennas to create a wireless bridge or access point on a Pole or Wall using a local high voltage source.



## Plug & Play PoE Ports

Outputs Pre-Configured for your Application by Vorp Technicians

## Various Configurations Available

See Infographics Below for Example Setups

## Weatherproof Design

Rugged Polycarbonate Enclosure  
Polyurethane Gasket

## Cable Glands

Secure Wires & Keep Moisture Out

"We had given up on powering our equipment with Solar until a colleague introduced us to Vorp Energy. Thanks Vorp!"



-John Webster Industrial Security Systems

## Vorp Energy

4774 South Hwy 191  
Rexburg, ID 83440

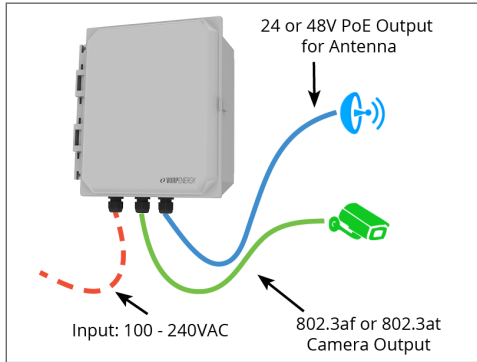
Phone : + (208) 904-0424

E-Mail : support@vorpenergy.com

 VORPENERGY

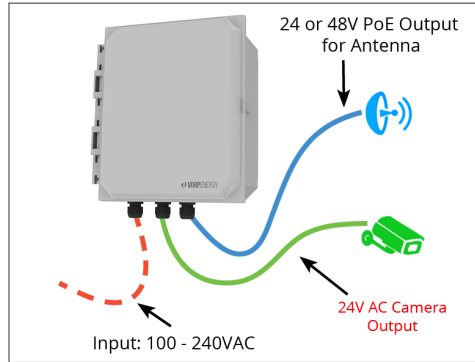
## - Wireless Surveillance Applications

Note that most IP cameras without heaters and blowers are powered by the 802.3AF standard. Most PTZ's will require 802.3AT or 24VAC to power due to the heater & blower. To learn more about wireless go to [www.vorpenery.com/learning-center](http://www.vorpenery.com/learning-center)



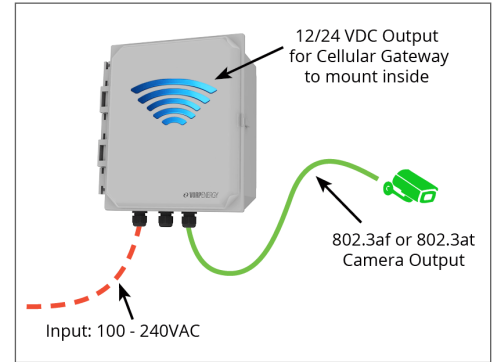
**Power (1) IP Camera & (1) Antenna off 100-240VAC**

Use **PC1-1AF-24P** or **/48P** for an 802.3af camera.  
Use **PC1-1AT-24P** or **/48P** for an 802.3at camera.



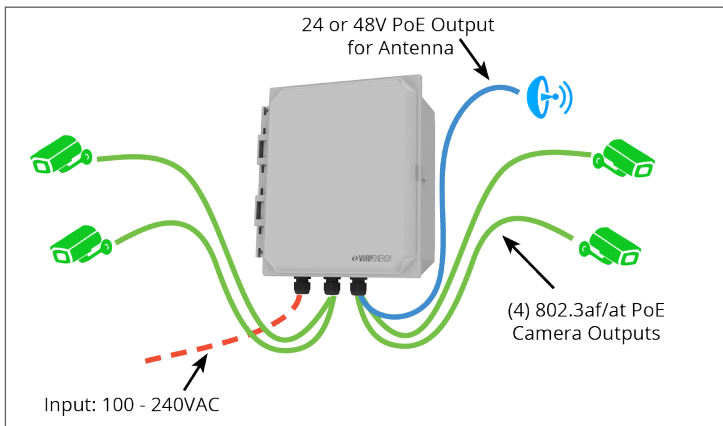
**Power (1) 24V AC IP Camera & (1) Antenna off 100-240VAC**

Use **PC1-24VAC-24P** for a 24V AC camera up to 1.6A.  
Use **PC1-24VAC-24HP** for a 24V AC camera up to 4A.



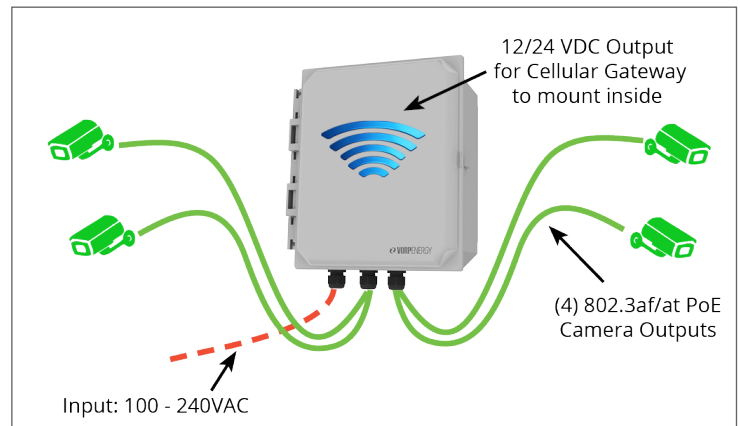
**Power (1) IP Camera & (1) Cellular Gateway off 100-240VAC**

Use **PC1-1AF-24CG** for an 802.3af camera and the **PC1-1AT-24CG** for an 802.3at camera.



**Power (4) 802.3af/at Cameras & (1) Antenna off 100-240VAC**

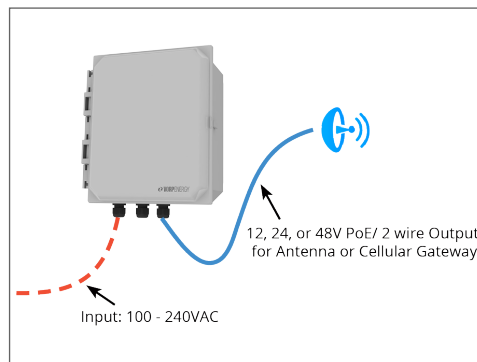
Use the **PC1-4AF-24P** for up to (4) 802.3af/at cameras and (1) 24V PoE antenna. **PC1-4AF-48P** for (1) 48V PoE antenna.



**Power (4) 802.3af/at Cameras & (1) Cellular Gateway off 100-240VAC**

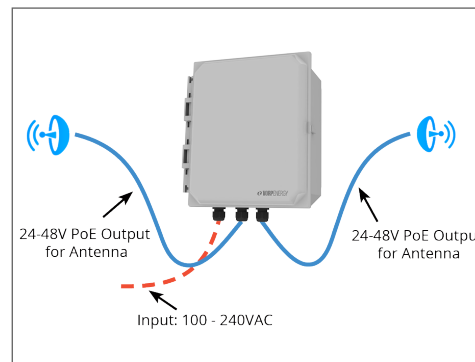
Use the **PC1-4AF-24CG** for up to (4) 802.3af/at cameras and (1) 24V Cellular Gateway. **PC1-4AF-48CG** for (1) 48V Cellular Gateway.

## - Antenna / Cellular Gateway Applications



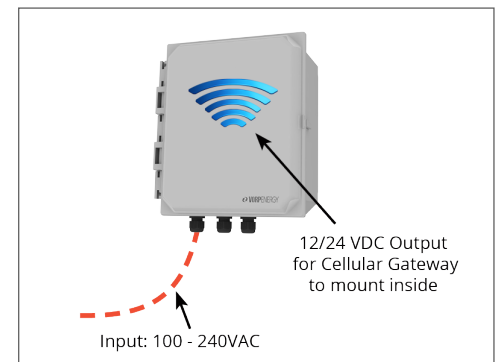
**Power (1) Antenna as a "hotspot" off 100-240VAC**

Use **PC1-12P** for 12V, **PC1-24P** for 24V, or **PC1-48P** for 48V PoE devices.



**Power (2) Antennas off 100-240VAC**

Use **PC1-24P-24P** for (2) 24V PoE Antennas or **PC1-48P-48P** for (2) 48V PoE Antennas.



**Power (1) Cellular Gateway as a "hotspot" off 100-240VAC**

Use **PC1-12CG** for 12V, **PC1-24CG** for 24V, or **PC1-48CG** for 48V DC (2 wire +/-) devices.