

SPM-55X / SPM-42X




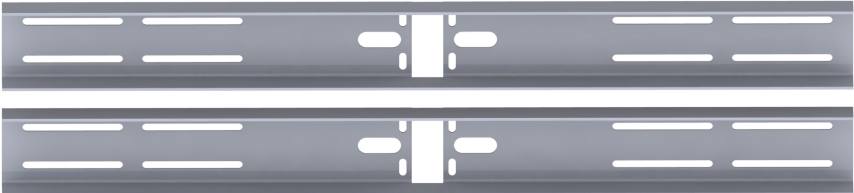



Watch this Short Installation Video

Scan the QR Code or find it on VorpEnergy.com

<http://www.vorpenergy.com/resources/training-videos/>

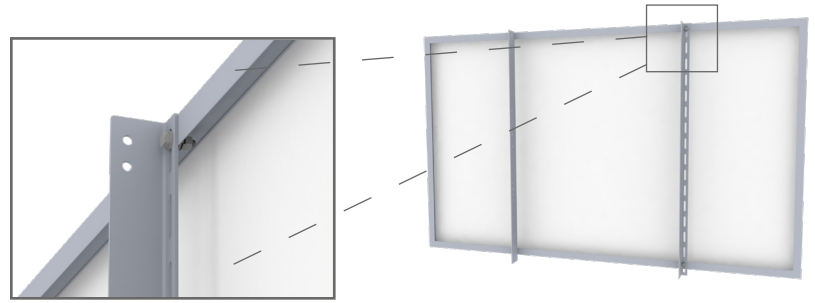


COMPONENTS LIST

 <p>SPM-A-55 (2x) or SPM-A-42 (2x)</p>			
 <p>SPM-C-35 (2x)</p>		<p>Hardware kit includes:</p> <ul style="list-style-type: none"> (27) 5/16" -18 x 1" (27) 5/16" Flat washers (27) 5/16" Lock washers (27) 5/16" -18 Hex nuts 	
 <p>SPM-A-32 (2x)</p>			
 <p>HOSE CLAMPS (4x)</p>	 <p>SPM-LB-R (2x)</p>		

STEP 1

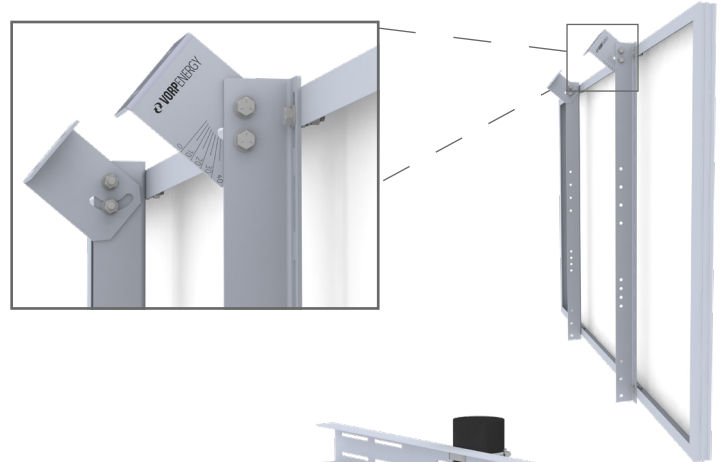
Mount the long Rails (SPM-A-55 or SPM-A-42) to the Solar Panel using the existing holes on the rear of the panel. Bolt 4 points per Solar Panel. Max width between holes should be 38" (drilling may be required).



STEP 2

Panels should face directly south. Attach the engraved SPM-LB-L-ENG and (1) SPM-LB-R to the SPM-A-55 or SPM-A-42 rails using the provided hardware. Set the adjustment angle using the calculator found by scanning the QR Code or at:

<http://www.vorpenergy.com/resources/calculators/>



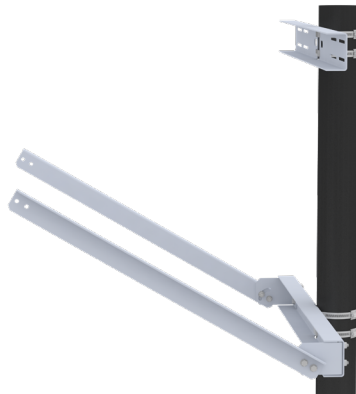
STEP 3

Attach the two SPM-C-35 channels to the pole using the provided hose clamps. Tighten the hose clamps of the upper SPM-C-35 at the height the top of the solar panel will be mounted. Leave the two lower hose clamps slightly loose so the lower SPM-C-35 can be adjusted later. Attach the second pair of clips, SPM-LB-L and SPM-LB-R to the lower SPM-C-35.



STEP 4

Attach the two SPM-A-32 braces to the lower SPM-C-35.



STEP 5

Attach the solar panel assembly completed in step two, to the upper SPM-C-35. Attach the SPM-A-32 braces to the appropriate holes in the SPM-A-55 or SPM-A-42 rails. Check that the angle is correct and tighten all the bolts. To adjust the angle, loosen the appropriate bolts and hose clamps that hold the lower SPM-C-35. Lower or raise the lower SPM-C-35 and re-tighten all hose clamps and bolts.

